

U-Max[®] UX 20 2T



Barrier Closure Protection



U-MaxiGrip Industrial Zippers & Plastic Closures

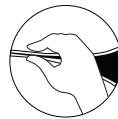
Whatever you design or manufacture, U-MaxiGrip[®] Plastic Zippers offer a better way to make it open, close, and join together. The UMX 20 2-track is ideal for light duty top or vertical closure applications. It provides a perfect seal with virtually every plastic, woven or non-woven material.

Closures Types

UX202T U-Max 2-Track



Manually by hand



Ultraseal Parking Slider



Special Order

ULTRASEAL

A new slider system for the UX style MaxiGrip. The slider remains engaged & locked for an airtight seal.



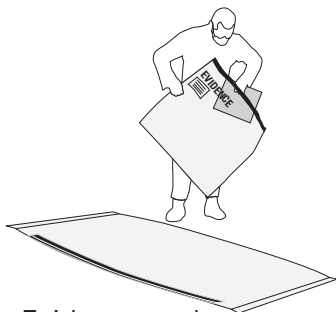
UV Stabilization

MaxiGrip can stabilize your closures from the harmful effects of Ultra-violet rays.

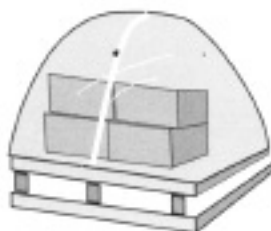
Custom Sizes and Colors

MaxiGrip can design and fabricate custom sizes and configurations to accommodate your special needs. MaxiGrip can be manufactured in a variety of colors "to match your product specifications" or to enhance your products visual appeal."

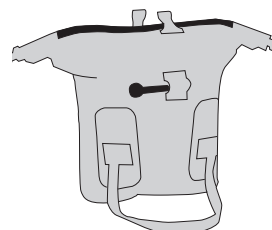
U-MaxiGrip Applications



Evidence and Body Bags



Dry Storage Covers



Dry Bags

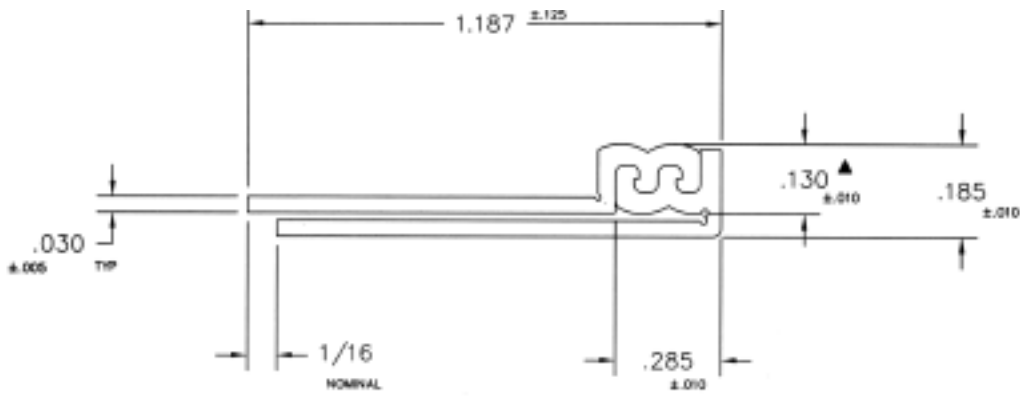


Pipe Insulation Covers

CLOSURE PROTECTION



Product Drawings & Specifications



This sketch is for reference only. Dimensions vary according to raw material.

Pull strength varies with materials, durometer, and fullness of track teeth.
We ask for your requirements to determine feasibility.

NOTE: Figures based on testing done on an Instron model 3343 based on 1 inch sample at 20 inches of travel per minute with a 100 pound load cell.